



Gas burners

EKEVO® 6

EKEVO® 7



Class 2



Class 3



Design

Robust and professional

The design of the EKEVO® is the result of a successful synergy between ELCO key features and essential design.

The range EKEVO® introduces a brand new aluminium casting body and confirms the choice of ELCO about light colors and harmony of each shape.

Professionals will appreciate the flexibility of a 180° orientable air inlet, the compact switch box and the easy to clean glossy paint.



Combustion

Clean and steady

The standard all-purpose Low NOx Class 2 combustion head ensures a clean combustion with total application adaptability and great flame stability.

The next step to be accomplished by ELCO engineers is the release of the Low NOx Class 3 version with exclusive Free Flame Technology.

Flexibility

A total advantage

The EKEVO® are characterized by their total flexibility of installation; they have been designed to be installed in different ways: up-firing, down-firing, upside-down or side-to-side (twin chamber boilers).

Options and configurations have been foreseen in order to fulfill any application need.



Electronics

Easy and comprehensive

All EKEVO® models are fully electronically controlled and they are equipped with the exclusive ELCO man-machine interface allowing simple and effective programming operations.



Communication

User-friendly and universal

Elcogram: a universal language based on symbols and numerical data. The burner setup and the reading of the available information about the EKEVO® operation are possible through a backlit display with a 5-buttons keyboard.

This user-friendly interface, already appreciated in former ELCO product ranges, assures quick commissioning operations and total functional parameters understanding, as ever before.

Maintenance

Simple and time saving

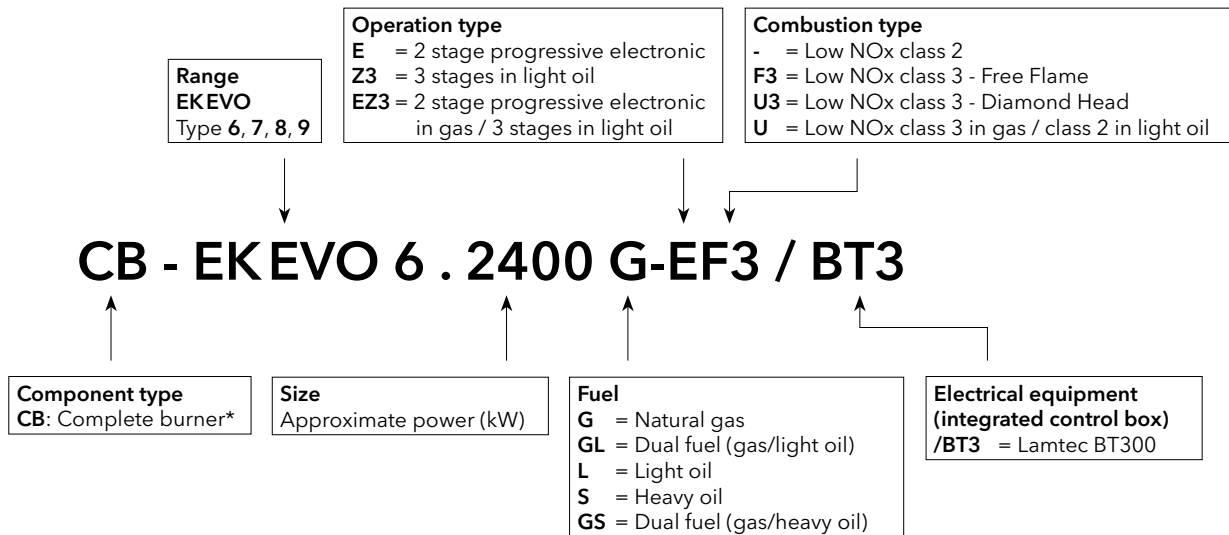
The maintenance of the EKEVO® burners can comfortably be carried out thanks to a wide opening above the housing, allowing easy access to the combustion components up to the fan, and thanks to the choice of the material: aluminium, lightweight to handle and resistant at the same time.

Maintenance operations are possible keeping the original combustion components' setup. Efficient and reliable combustion is granted on the EKEVO® range year after year.

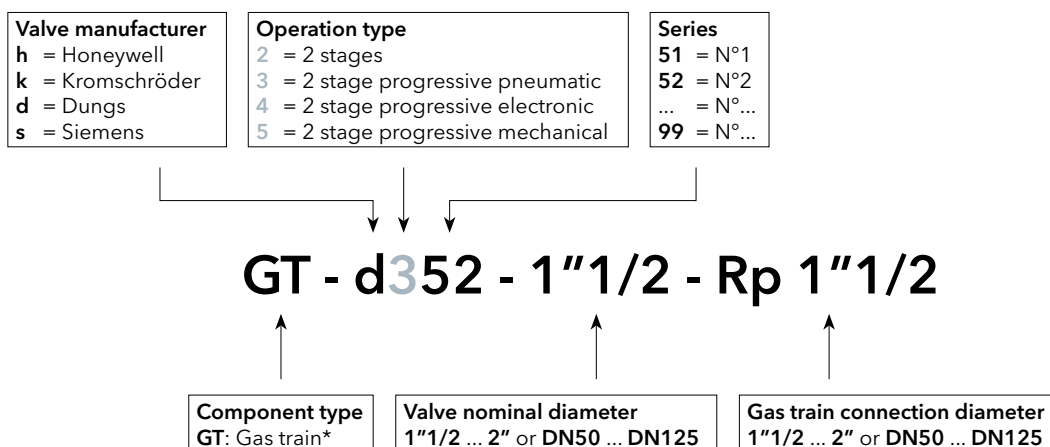


Designation of EKEVO components

Body



Gas train



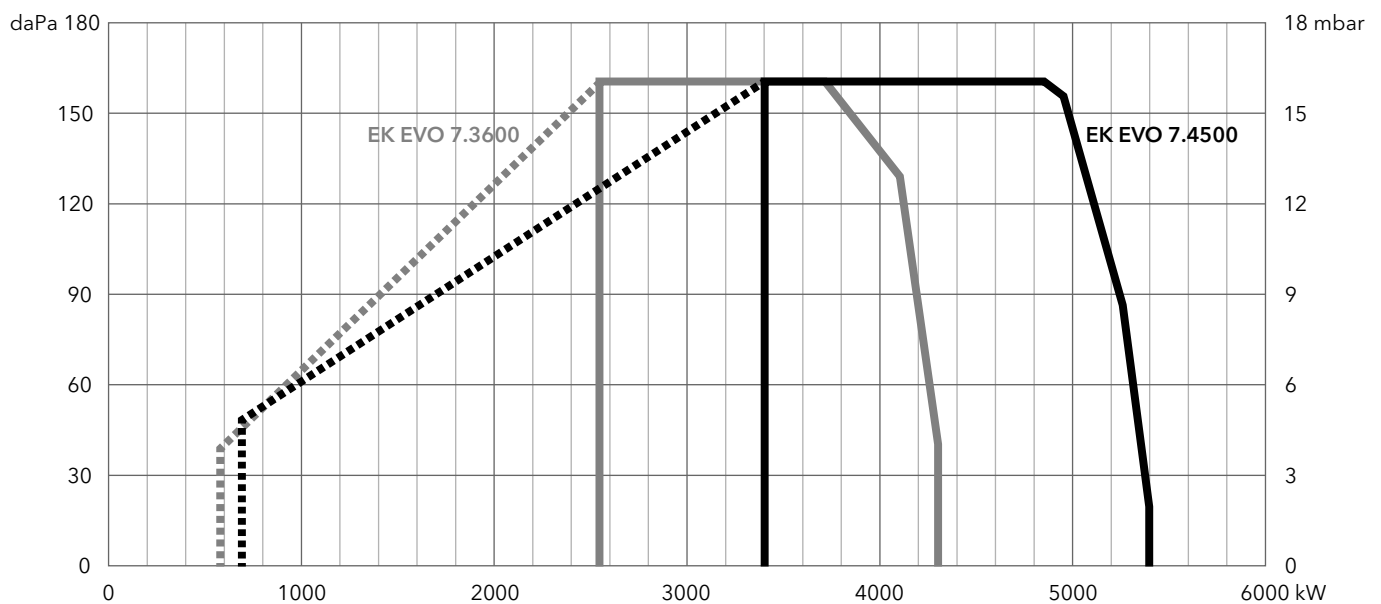
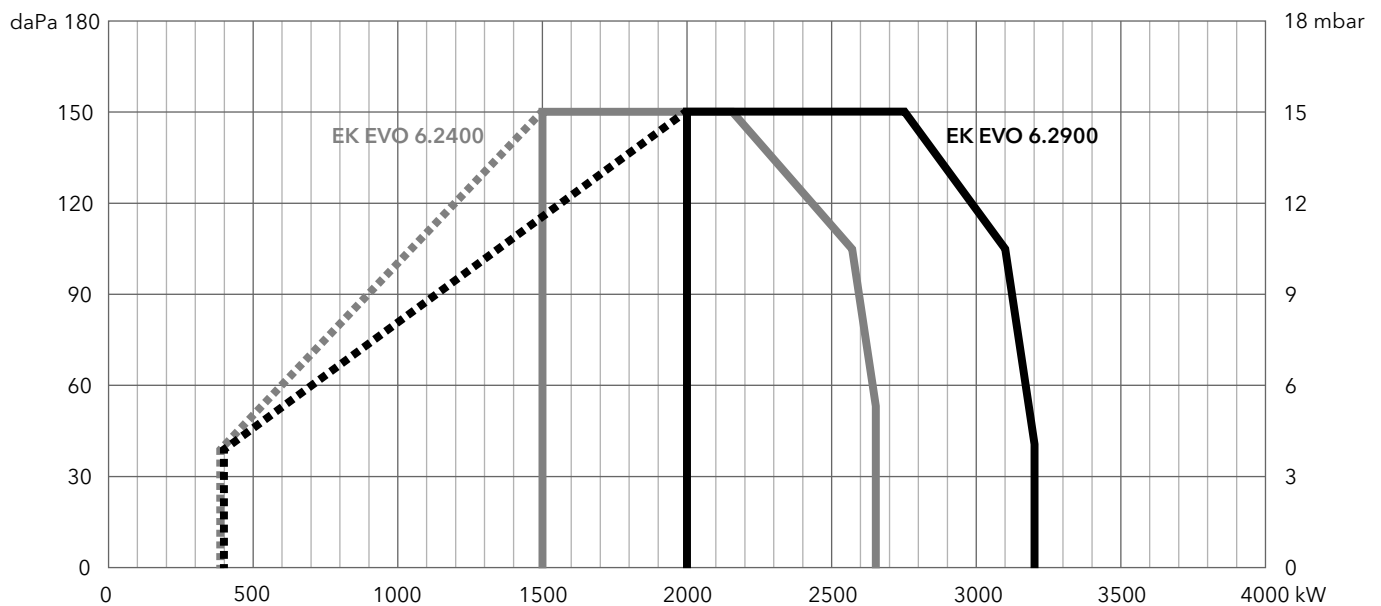
* for invoice purposes only

Working fields and technical characteristics

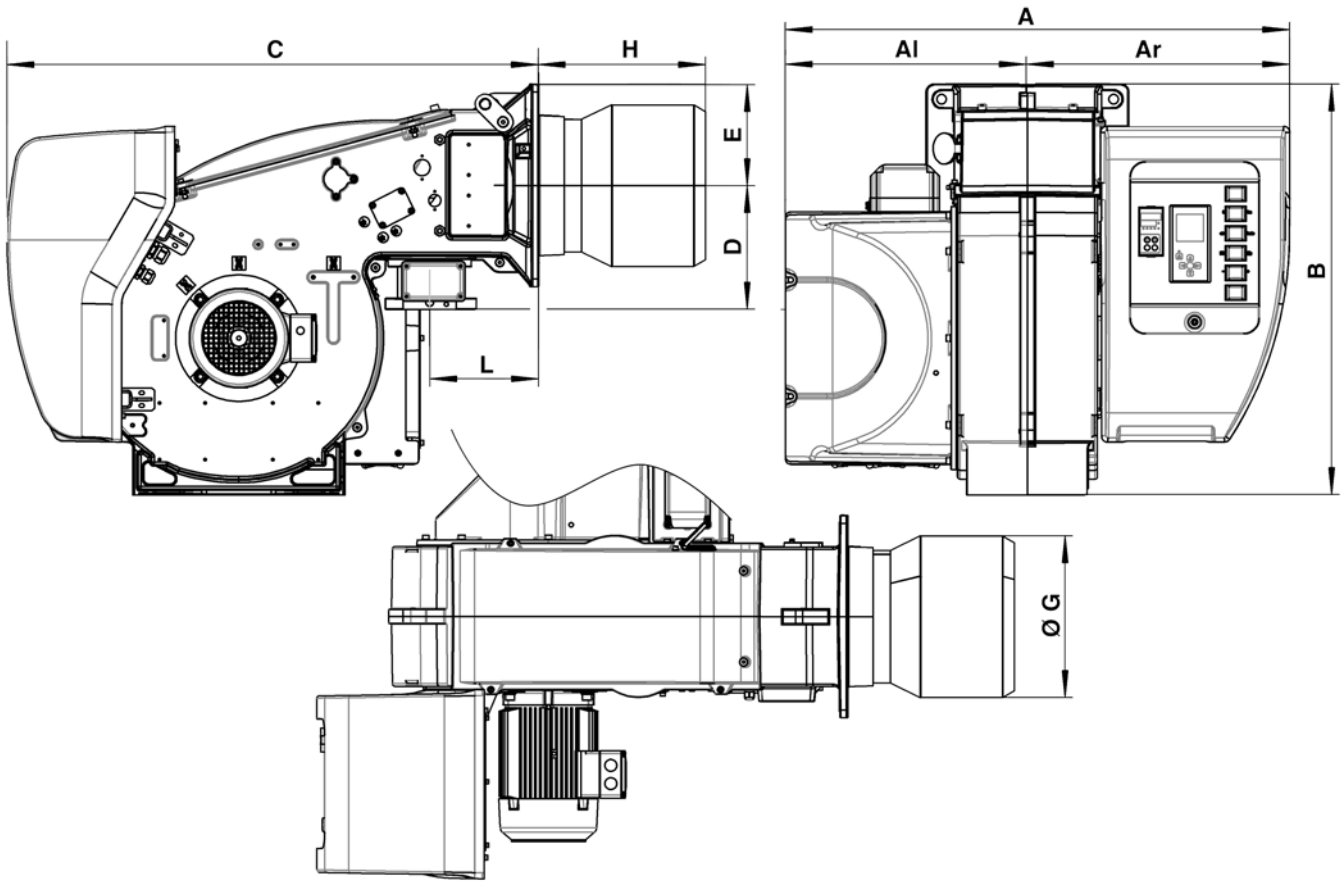
EKEVO® 6 - 7

Low NOx Class 2 (< 120 mg/kWh)

	EKEVO 6.2400 G-E	EKEVO 6.2900 G-E	EKEVO 7.3600 G-E	EKEVO 7.4500 G-E
Burner output [kW]	390 - 2 650	400 - 3 200	580 - 4 300	680 - 5 400
Gas pressure [mbar]	50 ... 500	50 ... 500	50 ... 500	50 ... 500
Fan motor	400 V - 50 Hz - 3 kW	400 V - 50 Hz - 4 kW	400 V - 50 Hz - 5,5 kW	400 V - 50 Hz - 7,5 kW
Auxiliary voltage	1NPE AC 230 V - 50 Hz	1NPE AC 230 V - 50 Hz	1NPE AC 230 V - 50 Hz	1NPE AC 230 V - 50 Hz
Power supply	3NPE AC 400 V - 50 Hz	3NPE AC 400 V - 50 Hz	3NPE AC 400 V - 50 Hz	3NPE AC 400 V - 50 Hz
Acoustic level [dB(A)]	< 75	< 76	< 79	< 80,5

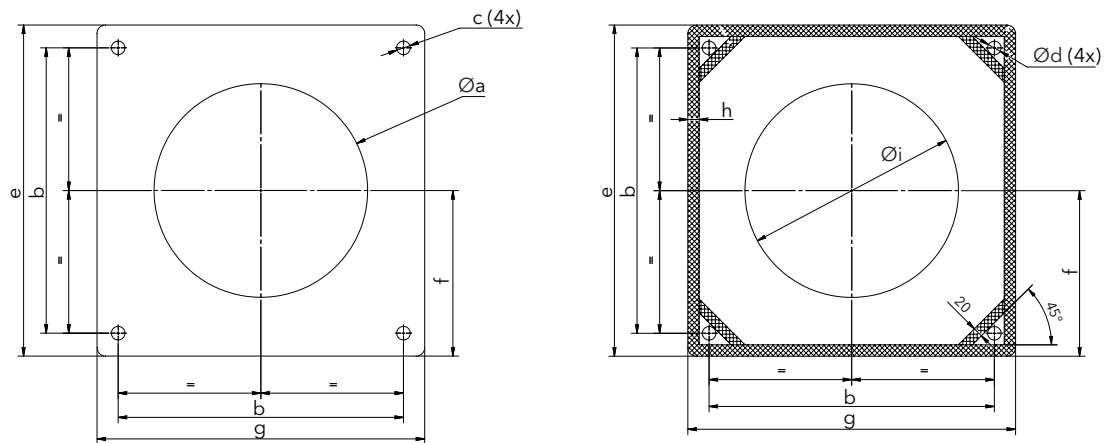


Overall dimensions



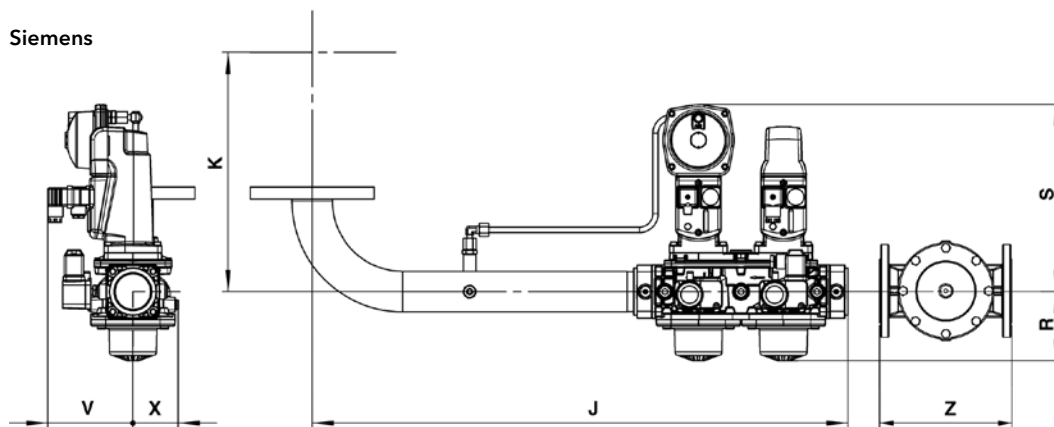
	A	Al	Ar	B	C	D	E	ØG	H			L
									KN	KM	KL	
EKEVO 6	1035	479	556	812	1048	245	200	320	330	450	570	215
EKEVO 7	1093	506	587	941	1122	276	235	370	375	505	635	225

Connecting flange



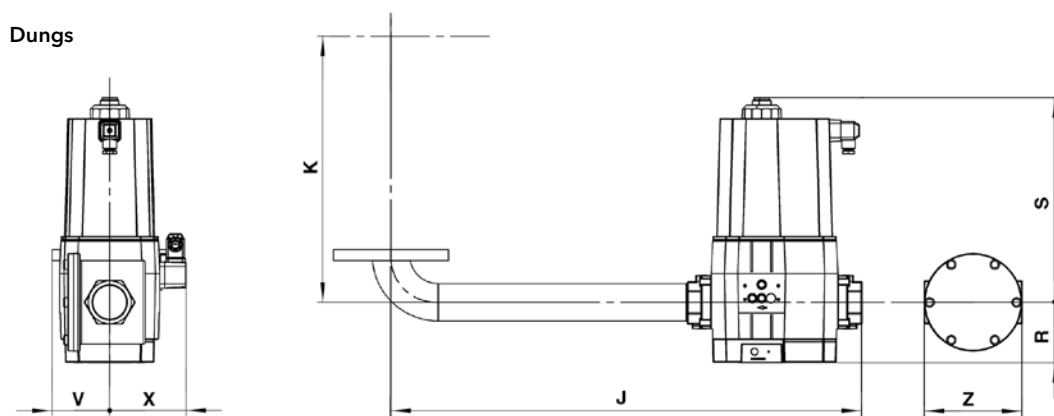
	Øa	b	c	Ød	e	f	g	h	Øi
EKEVO 6	330-340	340	M16	18	425	200	400	20	295
EKEVO 7	380-400	400	M16	18	490	235	470	20	355

Siemens



	J	K		R	S	V	X	Z
		EK EVO 6	EK EVO 7					
s1"1/2 - DN65	794	373	404	139	282	255	65	245
s2" - DN80	803	403	361	139	282	255	65	285
s65 - DN80	792	351	382	123	303	208	108	285
s80 - DN80	812	371	402	135	313	215	110	285
s100 - DN100	854	371	402	145	331	226	126	340
s125 - DN125	902	371	402	175	349	240	140	400

Dungs



	J	K		R	S	V	X	Z
		EK EVO 6	EK EVO 7					
d1"1/4 - Rp1"1/4	623	373	404	61	173	171	89	-
d1"1/2 - Rp1"1/2	683	373	404	80	186	184	102	-
d2" - Rp2"	757	403	434	96	328	208	126	-
d65 - DN65	793	351	382	183	246	192	110	245
d80 - DN80	812	371	402	207	292	199	117	285
d100 - DN100	871	371	402	244	329	208	126	340

Options

Load controller with probe

Variatron (fan speed controller)

O₂/CO control

Profibus interface

External air channel connection

Subsidiaries and worldwide network



Contact us to know our worldwide partners details
contact@elco-burners.com

Subsidiaries

Netherlands Representative Office

Meerpaalweg, 1
1332 BB Almere
P.O. box 30048
1303 AA Almere
Netherlands
Tel. +31 (0)88 69 573 11
Fax +31 (0)88 69 573 90
www.elco.nl

Germany Representative Office

Dreieichstrasse, 10
64546 Moerfelden
Walldorf
Germany
Tel. +49 (0)6 105 968 192
Fax +49 (0)6 105 968 199
<http://industrie.elco.de/>

China Representative Office

17A2-Capital Bldg
No. 333 Xian Xia Road
200336 Shanghai
China
Tel. +86 21 6039 8691
Fax +86 21 6039 8620

France Representative Office

110, Rue des Vergers
ZI des Dragiez
F 74800 La Roche-sur-Foron
France
Tel. +33 (0)4 50 87 84 00
Fax +33 (0)4 50 87 84 65

Italy Representative Office

Viale Roma, 41
28100 Novara
Italy
Tel. +39 0732 633590
Fax +39 0732 633599

Russia Representative Office

Eniseyskaya str. 1, bld 1,
Office Center "LIRA", office 415
129344 Moscow
Russia
Tel. +7 495 213 0300 # 5702
Fax +7 495 213 0302

CONTACT